

Product Features

- All stainless steel 316 construction, Teflon® isolator
- Probe bare 316 stainless steel
- Integral electronic switching, relay output
- Built-in slosh dampening
- Hermetically sealed, vibration resistant construction
- No moving parts
- For conductive liquids only
- Minimum or maximum limit detection

Description

The LLS100 is truly a high quality level switch, which can be used in harsh environments, for liquid level limit detection in metallic and non-metallic tanks containing electrically conductive liquids. The probe, fitting and housing are constructed of stainless steel 316; the isolator is Teflon®. The LLS100 sensor features built-in protection against reverse polarity, overvoltage and electrical shielding to deliver long-term reliability. The output is relay SPDT which can be configured as either NO or NC (4-wire) or both NO and NC (5-wire).

Application / Process Notes

- Limit detection of conductive liquids
- Water level monitoring in oil separators
- Steam boilers
- Waste water level monitoring
- Leak detection
- Coolant level monitoring

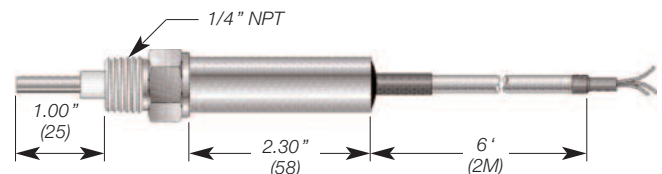


Stocked Items :

Model No.: LLS100-RL-PV-006-F14S-S-010-N

Inventory No.: 521-001-01

- LLS100 switch with 1" (25 mm) long probe, 1/4" NPT fitting and 6 ft (2 m) of PVC cable, 5 cond.
- Relay output SPDT, can be used NO or NC



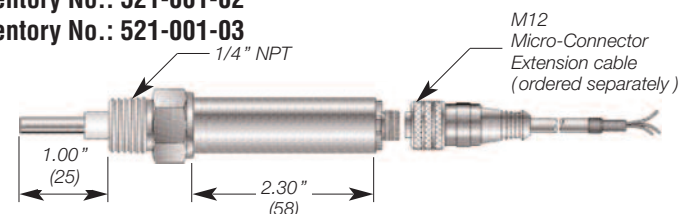
Model No.: LLS100-R0-M5-N-F14S-S-010-N (Relay NO)

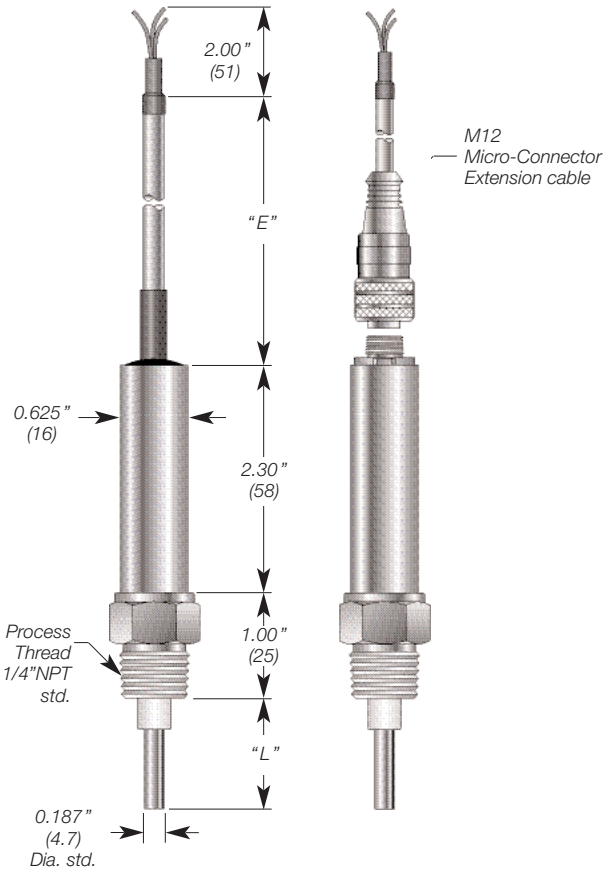
Inventory No.: 521-001-02

Model No.: LLS100-RC-M5-N-F14S-S-010-N (Relay NC)

Inventory No.: 521-001-03

- LLS100 switch with 1" (25 mm) long probe, 1/4" NPT fitting and M12 Micro-Connector, 5-pin.
- Relay output SPDT, can be used NO or NC





Electrical Specifications

Supply voltage :	12VDC - 30VDC
Output :	Relay, SPDT; NO or NC
Power Consumption :	50mA @ 24VDC - 120mW max.
Max. Load Capability :	1A @ 30VDC; 0.3A @ 110VAC
Damping :	1-3 sec. (factory set, std.)
Sensitivity :	10K ohms (resistive fluids)
Circuit Protection :	Reverse voltage
Probe Output :	1 mA max, 1 VAC max @ 5 KHz
Ambiant Temperature :	-40 to 85°C (-40 to 185°F)

Mechanical Specifications

Wetted Materials:	Stainless steel 316 and Teflon®
Mounting Thread :	Fitting stainless steel 316, 1/4" NPT std.
Process Temperature :	100°C max (212°F)
Pression Limits :	100 psi (6.9 bar)
Probe Material :	Stainless steel 316
Electrical Termination :	Lead wires 22 AWG, or M12 Micro-Connector
Moisture Protection :	IP67 (NEMA6 equivalent)

Teflon® is a registered trademark of E.I. du Pont de Nemours and Company.

Custom Builder

MODEL 1 2 3 4 5 6 7

LLS100 - - - - - - - -

BOX1 CODE	Output
RL	SPDT Relay, NO or NC
RO	SPDT Relay, NO only
RC	SPDT Relay, NC only

BOX2 CODE	Extension
PV	PVC Insulation, 90°C (195°F) max.
TF	Teflon® Insulation, 200°C (392°F) max.
TA	Teflon® w/SS Armor, 200°C (392°F) max.
TS	Teflon® w/SS Overbraid, 200°C (392°F) max.
M5	M12 Micro-Connector, 5-pin male receptacle

BOX3 CODE	Extension Cable Length "E" (M5 option)
N	None
A2	Straight, 2 meters
A5	Straight, 5 meters
B2	Right angle, 2 meters
B5	Right angle, 5 meters
Extension Cable Length "E" (Cable option)	
---	In feet Ex.: 060 = 60 ft long (max. 999 ft)

BOX4 CODE	Fitting Type
F18S	1/8" NPT, SS316
F14S	1/4" NPT, SS316, std.
F38S	3/8" NPT, SS316
F12S	1/2" NPT, SS316

BOX5 CODE	Probe Material
S	Stainless steel 316

BOX6 CODE	Probe Length "L"
---	In 0.1 inch increments (36" max.) Ex.: 025 = 2.5" long (1.0" std.)

BOX7 CODE	Options
N	None

Other extensions available. Consult factory.

Other fittings available. Consult factory.