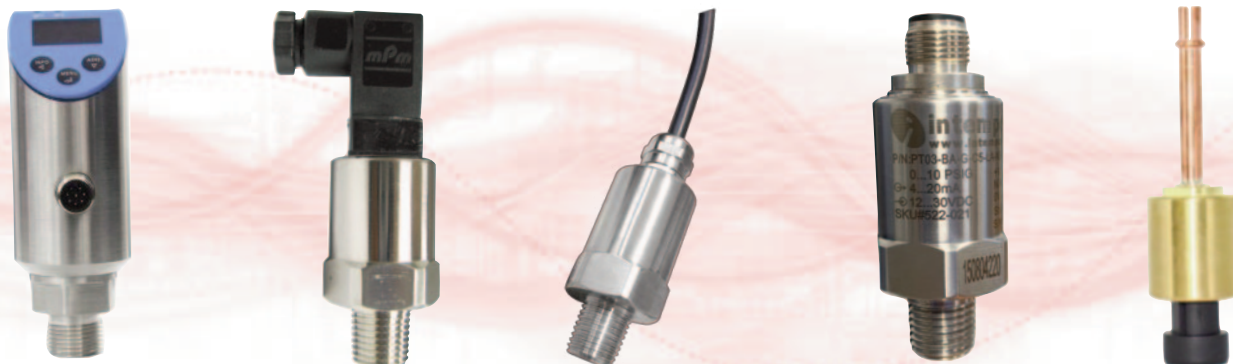


PRESSURE TRANSMITTERS



Manufacturer of Superior Quality Instrumentation



Pressure





Intempco is one of the only manufacturer specializing in temperature, pressure, level, and humidity sensors in Canada. Customers around the globe rely on our high-quality instrumentation and technical expertise for over 30 years.

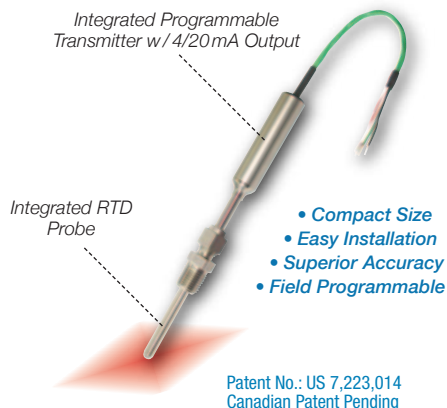
Precision Perfected: Explore Our Advanced Pressure Transmitters

Discover unparalleled accuracy and quality with our advanced pressure transmitters. Designed to excel in gas and liquid pressure measurement, liquid/oil media level monitoring, and PNP switching, these transmitters offer customizable switching options, OLED displays, and adjustable analog outputs. Their robust build, industrial touch buttons, and MODBUS communication support ensure seamless integration and control.



Research & Development

Constant R&D efforts over the years have allowed Intempco to provide its customers with the most complete solutions for their specific needs. A team of electrical and mechanical engineers working with highly-skilled technicians constantly refine existing products and create new ones. One such example is the innovative line of MIST Temperature Sensors which combines a conventional RTD with a reprogrammable transmitter into one compact unit.



Custom Engineering

Custom solutions needed for specific applications can be provided rapidly thanks to Intempco's qualified technicians and engineers.

Assistance

Intempco provides customers with reliable after-sale support through its network of established distributors.

Calibration

Intempco's temperature, humidity and level sensors are calibrated to traceable standards such as NIST (National Institute of Standards and Technology) or CNRC (Canadian National Research Council). Customers are also encouraged to send in their full line of instruments for calibration.



Warranty & Repairs

All products manufactured by Intempco are backed by a one-year limited warranty. Repairs of all instruments manufactured by Intempco are performed by our qualified technicians in house in our company headquarters.

Shipping

Intempco ships most of its products within two weeks. In Stock item are usually shipped within two business days. Rush shipping is also available upon request.

PPS60



Smart Electronic Programmable Pressure Switch with Display

- Measure gas and liquid pressure, liquid/oil media levels.
- PNP switching, voltage, current outputs.
- Settable switching points and types (NO/NC).
- OLED display, adjustable analog outputs.
- Rotatable housing, touch buttons.
- MODBUS communication supported.

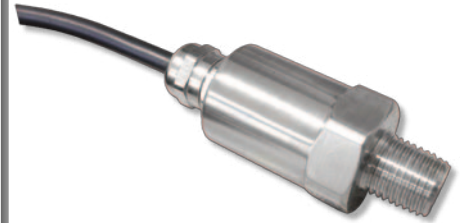
PT01



High Shock and Vibration OEM Pressure Transmitter with Mini DIN Hirschman Connector

- Low cost, OEM applications
- Standard ranges from 0 to 10,000 PSI
- 2-wire loop powered 4-20mA output
- Available with 1/4" NPT connection
- Stainless Steel 316 case and wetted components
- Mini DIN Hirschmann Connector

PT02



High Shock and Vibration Pressure Transmitter with PVC Extension Cable

- Low cost, OEM applications
- Standard ranges from 0 to 10,000 PSI
- Excellent shock and vibration resistance
- 2-wire loop powered 4-20mA output
- Available with 1/4" NPT connection
- Stainless Steel 316 case and wetted components
- IP67 Rating

PT03



High Shock and Vibration Pressure transmitter with M12 Connector

- Standard ranges from 30 to 10,000 PSI
- 2-wire loop powered 4-20mA output, others available
- Available with 1/4" or 1/2" NPT connections, others available
- Stainless Steel 316 case and wetted components available

PT14



High Shock and Vibration Refrigerant Pressure Transmitter

- Ceramic piezo-resistive sensing element
- Standard ranges from 0 to 2000 PSI
- 2-wire loop powered 4-20mA output
- Electrical connection: Packard 3-pin
- Packard extension cable available, 6 ft (2 m) long, IP65 Rating
- Pressure connection: 26 x 60mm long copper tubeable

Product Features

- Gas and liquid pressure measurement
- Liquid and oil media level measurement
- PNP switching, voltage and current outputs
- Switching points settable
- Switching can be set normally open / normally closed
- Supporting Switching delay
- Various analog output ways available
- Displaying pressure peak value and environment temperature
- Analog output span settable
- High light switch indicating
- OLED self-luminous display
- Display turnable 180°
- Housing with electrical connection against process connection rotatable 330°
- Industrial touch button
- Various display pressure units
- Media density settable
- Parameters setting up for Password protection
- Support MODBUS communication

Description

PPS60 pressure switch is designed for pressure monitoring and measurement in liquid and gaseous media. It is suited for general industrial applications such as in mechanical manufacturing, in machine tool systems, in hydraulic and pneumatic systems, for pressure monitoring and control and for pumps and compressors. It is pressure switch, transmitter and display in one device. In its standard configuration it has optional two switching outputs (PNP or NPN), an analog output signal (0...20 mA, 4...20 mA, 0...5V, 0...10 V) as well as with RS485 Link.

The pressure switch PPS60 utilizes the latest digital electronics. And by combining high-precision AD switch, highly stable pressure sensor and carefully adjustment, the PPS60 ensures fast-speed and precise pressure measurement and switch movement. The setup using the three big back-lighted buttons and the display on sensor make it very easy for on-site parameters setting.

There is a large number of measurement ranges available from a smallest measurement range of -0.1...0.1 MPa to 60 MPa. In addition, the PPS60 offers absolute gage and negative ranges. The zero point can be adjusted by buttons. The PPS60 has a circularly welded stainless steel membrane without internal sealing elements, thus it is well suited for a large variety even of corrosive media. And there are various optional processing connectors.

Supporting standard MODBUS, the PPS60 makes it possible to remote data collection and parameters setting, helping customers free from buying extra communication adapters. For electrical connection the PPS60 has an M12x1 connector.

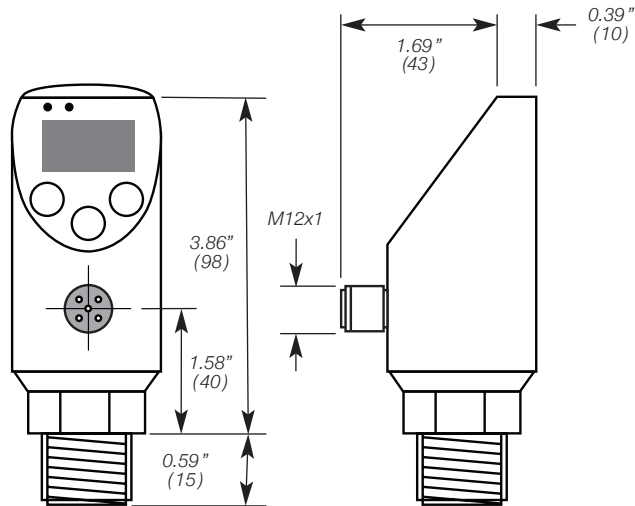


Application

- Food and pharmaceuticals industry
- Mechanical manufacturing,
- Machine tool systems,
- Hydraulic and pneumatic systems,
- Pressure monitoring and control
- Pumps and compressors

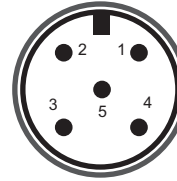
- Information furnished by Intempco is believed to be accurate and reliable. However, no responsibility is assumed by Intempco for its use.
- Specifications subject to change without notice.
- To view the custom builder and part numbers, refer to the product's Catalog Sheet, or view the online product listing.
- For pricing and to make an order, contact our sales team at sales@intempco.com.

Dimensions



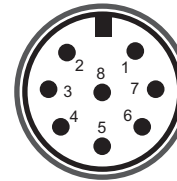
Electrical Connection

M12X1 5-PIN



- 1: Vcc (Power +)
- 2: K1 (Switch 1)
- 3: GND (Power -)
- 4: K2 (Switch 2)
- 5: AO (Analog Output)

M12X1 8-PIN



- 1: Vcc (Power +)
- 2: K1 (Switch 1)
- 3: GND (Power -)
- 4: K2 (Switch 2)
- 5: AO (Analog Output)
- 6: A (RS485-A)
- 7: B (RS485-B)
- 8: NC

The PPS60 is compactly designed, housing with electrical connection against processing connection rotatable 330°, display against housing turnable 180°, making it very easy for on-site installation and monitoring.

Technical Specifications

Pressure range :	-0.1 ... 0.1 MPa to 60MPa
Accuracy :	<0.5 % FS
Supply power range :	12 ... 30 VDC
Temperature error within rated temperature range :	
	+/- 0.02 %FS/ °C (Zero/full span)
Long-term stability :	+/- 0.3 % FS/year
Analog output accuracy :	+/- 0.2 % FS
Measurement media :	Gas and liquid
Output configurations temperature range	
switching + voltage + communication :	2xPNP + 0V to5VDC/10VDC + MODBUS
switching + current + communication :	2xPNP + 0 mA/4mA to 20mADC + MODBUS
Switching current :	1.0A (Max.)
Switching type :	Normally open, normally closed
Switching respond time :	<10ms
Switching delay :	0.00s to 1000.0s
Switching motion mode :	Delay or windows mode
Analog signal output and maximum ohmic load RL	
Current output :	0/4 ... 20mA, 20mA ... 4/0mA RL<0.5Kohm
Voltage output :	0 ... 5/10V, 5/10 ... 0V RL>10Kohm
Screen display :	OLED
Menu language :	English, Chinese
Switching instruction :	2X red LED
Displaying pressure units :	psi, bar, mbar, Pa, kPa, MPa
Buttons :	3X blue back-lighted touch buttons
Displaying supplementary variables :	Environment temperature, analog output value, min. pressure peak value, min. pressure peak value
Supplementary variables displaying mode :	Fixed displaying or INFO button switching display
Working temperature :	-30 °C to 80 °C
Media temperature :	-30 °C to 80 °C
Storage temperature :	-40 °C to 80 °C
Electromagnetism compatible :	GB/T 17626.2/3/4-2006
Shock resistance :	<10g/10Hz...500Hz (IEC 60068-2-6-2007)
Vibration resistance :	<50g/11ms (IEC 60068-2-6-2008)
IP rating :	IP65

- Information furnished by Intempco is believed to be accurate and reliable. However, no responsibility is assumed by Intempco for its use.
- Specifications subject to change without notice.
- To view the custom builder and part numbers, refer to the product's Catalog Sheet, or view the online product listing.
- For pricing and to make an order, contact our sales team at sales@intempco.com.

Product Features

- *Low cost, OEM applications*
- *Standard ranges from 0 to 10,000 PSI*
- *Excellent shock and vibration resistance*
- *2-wire loop powered 4-20mA output*
- *Available with 1/4" NPT connection*
- *Stainless Steel 316 case and wetted components*
- *Mini DIN Hirschmann Connector*

Description

Intempco PT01 pressure transmitters provide performance and economy for a wide range of OEM applications. They are especially suited to applications subject to severe mechanical shock, vibration, and electromagnetic interference. Typical applications include hydraulics and pneumatics, compressor controls, pump protection, refrigeration and air conditioning systems. The case is also made of stainless steel and is available with environmental protection ratings up to NEMA 5/IP65. The PT01 features an industry standard 2-wire 4-20mA output, 1/4" NPT connection and a 4-pin Mini DIN (Hirschmann) connector.

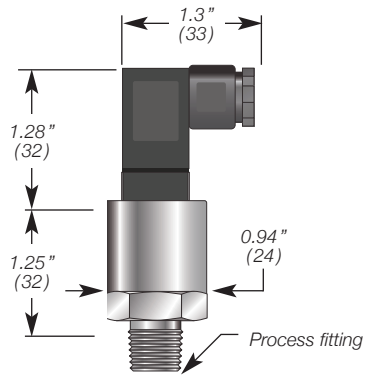
Each transmitter undergoes extensive quality control testing and calibration. The printed circuit boards use state-of-the-art surface mount technology and are potted in silicone gel for protection against mechanical shock, vibration, and moisture. Each transmitter is manufactured to assure accuracy and long term stability when exposed to severe ambient temperature variations.



Technical Specifications

Sensing Principle :	Ceramic
Pressure Ranges :	Standard ranges as listed (custom ranges available)
Process Connection :	1/4" NPT
Material :	
Wetted Parts :	Stainless steel and ceramic
Case :	Stainless steel
Supply voltage :	10 - 30 VDC
Output signal and maximum load :	4-20mA 2-wire system, RA[Ohm] < (Vsupply -10V) / 0.02A
Response time (10...90%) :	< 10 milliseconds
Accuracy : <i>(linearity, including hysteresis and repeatability)</i>	< 0.25% (0.12% B.F.S.L.), < 0.5% (0.25% B.F.S.L.) std., < 1.0% (0.50% B.F.S.L.) (Calibrated in vertical mounting position with process connection down)
Repeatability :	< 0.05% of span
Hysteresis :	< 0.1% of span
1 Year Stability :	< 0.2% of span (under reference conditions)
Permissible Temperature of :	Medium :-30°C to +100°C (-22°F to +212°F) Ambient Temp. Range :-40°C to +85°C (-40°F to +185°F) Storage Temp. Range :-40°C to +100°C (-40°F to +212°F)
Compensated Temperature :	-10°C to +80°C (-14°F to +176°F)
Temperature Error :	On Zero Point < 0.5% of span per 10°C (18°F) change On Span < 0.5% of span per 10°C (18°F) change
Electrical Connection :	4-pin MiniDIN 43 650C (Mini Hirschmann)
Weight :	Approximately 3.2 oz (90 gr)
Dimensions :	See drawing
Electrical Protection :	Protected against reverse polarity, short circuit, and overvoltage
Environmental Protection :	IP65 (NEMA 5) with 4-pin Mini DIN

Dimensions



Electrical Connection

Type	Mini DIN-Hirschmann connector
Protection	IP 65 / NEMA 5
Description	Pressure transmitter with Mini-Hirschmann and mating connector, analog output
Wiring 2-wire 4-20mA	

Legend :



Power supply



Load (e.g. display)

Sig+

Output signal positive

Sig-

Output signal negative

UB+

Power supply positive

0V

Power supply negative

- Information furnished by Intempco is believed to be accurate and reliable. However, no responsibility is assumed by Intempco for its use.
- Specifications subject to change without notice.
- To view the custom builder and part numbers, refer to the product's Catalog Sheet, or view the online product listing.
- For pricing and to make an order, contact our sales team at sales@intempco.com.

Product Features

- Low cost, OEM applications
- Standard ranges from 0 to 10,000 PSI
- Excellent shock and vibration resistance
- 2-wire loop powered 4-20 mA output
- Available with 1/4" NPT connection
- Stainless Steel 316 case and wetted components
- PVC Extension Cable, 6 ft (2 m) long standard, IP67 Rating

Description

Intempco PT02 pressure transmitters provide performance and economy for a wide range of OEM applications. They are especially suited to applications subject to severe mechanical shock, vibration, and electromagnetic interference. Typical applications include hydraulics and pneumatics, compressor controls, pump protection, refrigeration and air conditioning systems. The case is also made of stainless steel and is available with environmental protection ratings up to NEMA 7/IP67. The PT02 features an industry standard 2-wire 4-20mA output, 1/4" NPT connection and PVC extension cable 6 ft long as standard.

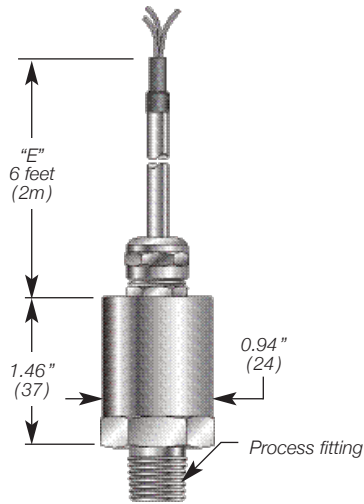
Each transmitter undergoes extensive quality control testing and calibration. The printed circuit boards use state-of-the-art surface mount technology and are potted in silicone gel for protection against mechanical shock, vibration, and moisture. Each transmitter is manufactured to assure accuracy and long term stability when exposed to severe ambient temperature variations.




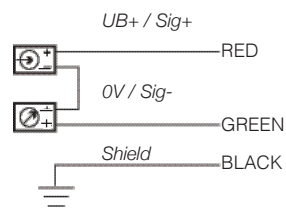
Technical Specifications

Sensing Principle :	Ceramic sensing element
Pressure Ranges :	Standard ranges as listed (custom ranges available)
Process Connection :	1/4" NPT
Material :	
Wetted Parts :	Stainless steel and ceramic
Case :	Stainless steel
Supply voltage :	10 - 30 VDC
Output signal and maximum load :	4-20 mA 2-wire system, $RA[Ohm] < (V_{supply} - 10V) / 0.02A$
Response time (10...90%) :	< 10 milliseconds
Accuracy : <i>(linearity, including hysteresis and repeatability)</i>	< 0.25 % (0.125 % B.F.S.L.) std., < 0.5 % (0.25 % B.F.S.L.) std., < 1.0 % (0.50 % B.F.S.L.) (Calibrated in vertical mounting position with process connection down)
Repeatability :	< 0.05 % of span
Hysteresis :	< 0.1 % of span
1 Year Stability :	< 0.2 % of span (under reference conditions)
Permissible Temperature of :	Medium : -30°C to +100°C (-22°F to +212°F) Ambient Temp. Range : -40°C to +85°C (-40°F to +185°F) Storage Temp. Range : -40°C to +100°C (-40°F to +212°F)
Compensated Temperature :	-10°C to +80°C (-14°F to +176°F)
Temperature Error :	On Zero Point < 0.5 % of span per 10°C (18°F) change On Span < 0.5 % of span per 10°C (18°F) change
Electrical Connection :	PVC extension cable, 6 ft (2 m) std.
Weight :	Approximately 6.0 oz (168 gr)/w/6 ft (2 m) of cable
Dimensions :	See drawing
Electrical Protection :	Protected against reverse polarity, short circuit, and overvoltage
Environmental Protection :	IP67 (NEMA 7) with PVC extension cable

Dimensions



Electrical Connection

	
Type	PVC extension cable
Protection	IP 67 / NEMA 7
Description	Pressure transmitter with PVC extension cable, analog output
Wiring 2-wire 4-20mA	 <p>UB+ / Sig+ — RED</p> <p>0V / Sig- — GREEN</p> <p>Shield — BLACK</p>

Legend :



Power supply

Load (e.g. display)

Sig+ Output signal positive
 Sig- Output signal negative
 UB+ Power supply positive
 0V Power supply negative

- Information furnished by Intempco is believed to be accurate and reliable. However, no responsibility is assumed by Intempco for its use.
- Specifications subject to change without notice.
- To view the custom builder and part numbers, refer to the product's Catalog Sheet, or view the online product listing.
- For pricing and to make an order, contact our sales team at sales@intempco.com.

Product Features

- *Pressure transmitter with M12 Connector*
- *Standard ranges from 30 to 10,000 PSI*
- *Excellent shock and vibration resistance*
- *2-wire loop powered 4-20mA output, others available*
- *Available with 1/4" or 1/2" NPT connections, other sizes available*
- *Stainless Steel 316 case and wetted components available*

Description

Intempco PT03 pressure transmitters feature M12 connector and provide performance and economy for a wide range of applications. They are especially suited to applications subject to severe mechanical shock, vibration, and electromagnetic interference. Typical applications include hydraulics and pneumatics, compressor controls, pump protection, refrigeration and air conditioning systems. The case is also made of stainless steel and is available with environmental protection ratings up to NEMA 4 / IP 67.

The PT03 transmitters are available with industry standard 1/4" or 1/2" NPT connections. They can be ordered with 4-pin MiniDIN (Hirschmann) connector, M12 receptacle or cable with free end connections with ratings up to NEMA 4 / IP 67. Outputs available are 4-20mA, 0-5 VDC and 0-10 VDC.

Two types of pressure diaphragms are available. The first is ceramic diaphragm with Viton O'ring. This construction is of lowest cost and easily available. The second is all welded stainless steel diaphragm with no O'rings. It is based on Microfused element principle and is excellent for difficult media and high vibration.

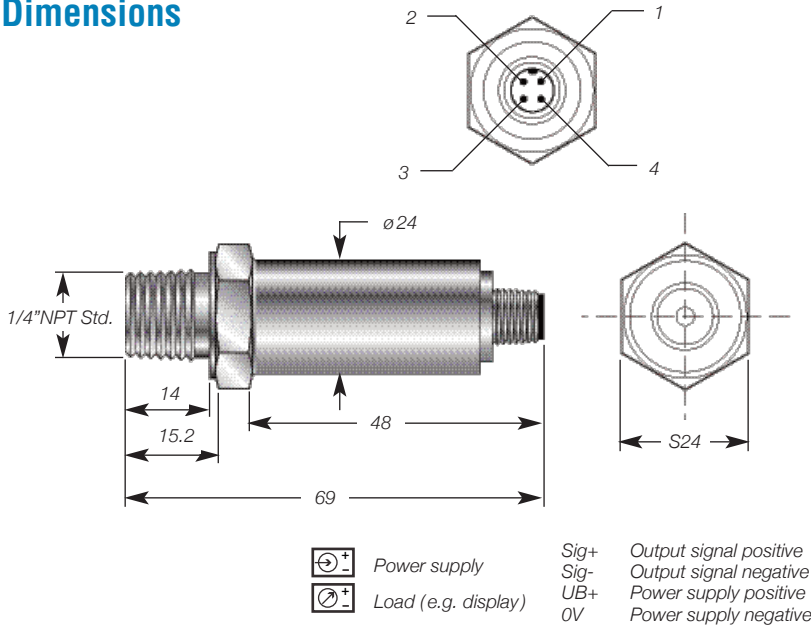
Each transmitter undergoes extensive quality control testing and calibration. The printed circuit boards use state-of-the-art surface mount technology and are potted in silicone gel for protection against mechanical shock, vibration, and moisture. Each transmitter is manufactured to assure accuracy and long term stability when exposed to severe ambient temperature variations.

Applications

- *Compressors*
- *Test equipment*
- *Pump control*
- *Hydraulics and pneumatics*
- *General industrial applications*



Dimensions



Wiring

Type	M12x1 Circular connector
2-wire system	
3-wire system	

TECHNICAL SPECIFICATIONS

Sensing Element Mat'l :	Welded stainless steel 316 (PT03S) or Ceramic w/Viton O'ring (PT03C)	
Pressure Ranges :	Standard ranges as listed (custom ranges available)	
Overload Pressure :	200% F.S.	
Burst Pressure :	400% F.S.	
Pressure Connection :	1/8", 1/4" & 1/2" NPT male, SAE 4 (7/16-20) & SAE 6 (9/16-18) male as standard (others available)	
Material :		
Wetted Parts :	Stainless steel or ceramic & stainless steel w/Viton O'ring	
Case :	Stainless steel	
Supply voltage :	10 - 30 Vdc (16 - 30 Vdc for 0 - 10 Vdc output signal)	
Output signal and maximum load :	4-20 mA 2-wire system	RA [Ohm] < (Vsupply -10V) / 0.02 A (Minimum 250 Ohm load @ 24Vdc)
	(0-5 Vdc 3-wire system)	RA > 5 kOhm (min)
	(0-10Vdc 3-wire system)	RA > 10 kOhm (min)
Insulation Resistance :	100MOhm @ 100 Vdc	
Response time (10...90%) :	< 10 milliseconds	
Accuracy : <i>(linearity, including hysteresis and repeatability)</i>	<0.25% (0.12% B.F.S.L.) <0.5% (0.25% B.F.S.L.) std., <1.0% (0.50% B.F.S.L.) (Calibrated in vertical mounting position with process connection down)	
Repeatability :	< 0.05% of span	
Hysteresis :	< 0.1% of span	
1 Year Stability :	< 0.2% of span (under reference conditions)	
Permissible Temperature of :		
Medium :	-30°C to +100°C (-22°F to +212°F)	
Ambient Temp. Range :	-40°C to +85°C (-40°F to +185°F)	
Storage Temp. Range :	-40°C to +100°C (-40°F to +212°F)	
Compensated Temperature :	-10°C to +80°C (-14°F to +176°F)	
Temperature Error :		
On Zero Point	< 0.5% of span per 10°C (18°F) change	
On Span	< 0.5% of span per 10°C (18°F) change	
Electrical Connection	4-pin MiniDIN, MiniDIN with molded cable 4-pin M12, Deutsch DTR-4P type plug 3-cond. Polyurethane jacketed	
Weight :	Approximately 1.2 lb. (0.6 Kg)	
Dimensions	See drawing	
Electrical Protection	Protected against reverse polarity, short circuit, and overvoltage	
Environmental Protection	IP 65 (NEMA 5) with 4 pin MiniDIN IP 67 (NEMA 4) with M12 connector IP 67 (NEMA 4) with cable	

- Information furnished by Intempco is believed to be accurate and reliable. However, no responsibility is assumed by Intempco for its use.
- Specifications subject to change without notice.
- To view the custom builder and part numbers, refer to the product's Catalog Sheet, or view the online product listing.
- For pricing and to make an order, contact our sales team at sales@intempco.com.

Product Features

- *Ceramic piezo-resistive sensing element*
- *Standard ranges from 0 to 2000 PSI*
- *Excellent shock and vibration resistance*
- *2-wire loop powered 4-20mA output*
- *Electrical connection: Packard 3-pin*
- *Packard extension cable available, 6 ft (2 m) long, IP65 Rating*
- *Pressure connection: $\phi 6$ x 60mm long copper tube*
- *Brass case standard, stainless steel case available*

Description

Intempco PT14 pressure transmitters provide performance and economy for a wide range of refrigeration, HVAC and OEM applications. They are especially suited to applications subject to severe mechanical shock, vibration, and electromagnetic interference. The unique feature of the PT14 is a pressure copper pipe which can be soldered or brazed to the process copper pipe thus offering leak tight performance. The environmental protection rating is up to NEMA4/IP65. The PT14 features an industry standard 2-wire 4-20mA output, pressure copper tube and Packard connector with optional extension cable, 6 ft long, as standard.

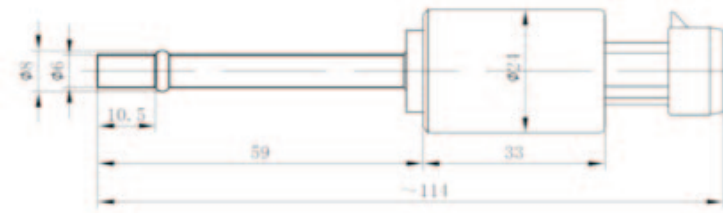
Each transmitter undergoes extensive quality control testing and calibration. The printed circuit boards use state-of-the-art surface mount technology and are potted in silicone gel for protection against mechanical shock, vibration, and moisture. Each transmitter is manufactured to assure accuracy and long term stability when exposed to severe ambient temperature variations.




Applications

- *For CO2 refrigerants and other types*
- *For media compatible with copper, ceramic and nitrile rubber*
- *Air conditioning refrigeration*
- *Machinery manufacturing*
- *Measurement and control technology*
- *Hydraulic and pneumatic technology*
- *Pumps and compressors*

Dimensions



Wiring

	Base pin	Two-wire Definition
	A	Shield (A)
	B	Power supply (V+)
	C	Output (Io)

Stocked Items Ordering Information (Order stock items using Intempco inventory number)

Model Number	Description	Intempco SKU#
PT14-BP-G-D1-6A-LA-PC-N		522-114-(0/2000Psi)
PT14-(0/150Bar)-G-D1-6A-LA-PC-N	Model PT14, 0 to 150 Bar, 1% accuracy, 4-20mA out	522-114-(0/150Bar)

Technical Specifications

Sensing Principle :	Ceramic piezo-resistive sensing element
Pressure Ranges :	Standard ranges as listed (custom ranges available), 0~150 Bar Gauge (0~2000 Psi)
Process Connection :	Pressure connection: $\phi 6 \times 60$ mm long copper tube
Materials :	
Wetted Parts :	Copper, ceramic and NBR (nitrile rubber)
Assembly :	Housing is brass or stainless steel; Pressure tubing is copper
Supply voltage :	8 - 30 VDC
Output signal and maximum load :	4-20 mA 2-wire system, $RA [Ohm] < (V_{supply} - 8V) / 0.02 A \Omega$ (MAX:600 Ω)
Response time (10...90%) :	< 10 milliseconds
Accuracy : <i>(linearity, including hysteresis and repeatability)</i>	< 1.0 % (0.50 % B.F.S.L.) (Calibrated in vertical mounting position with process connection down)
Repeatability :	< 0.05 % of span
Hysteresis :	< 0.1 % of span
1 Year Stability :	< 0.2 % of span (under reference conditions)
Permissible Temperature of :	Medium :-30°C to +100°C (-22°F to +212°F) Ambient Temp. Range :-40°C to +85°C (-40°F to +185°F) Storage Temp. Range :-40°C to +100°C (-40°F to +212°F)
Compensated Temperature :	-10°C to +80°C (-14°F to +176°F)
Temperature Error :	On Zero Point < 0.5 % of span per 10°C (18°F) change On Span < 0.5 % of span per 10°C (18°F) change
Electrical Connection :	Packard Metri-Pack, 3-pin, extension cable, 6 ft (2 m) std. available
Weight :	Approximately 6.0 oz (168 gr)/w/6 ft (2 m) of cable
Dimensions :	See drawing
Electrical Protection :	Protected against reverse polarity, short circuit, and overvoltage
Environmental Protection :	IP65 (NEMA 4) with Packard PUR extension cable
Performance Parameters	
Temperature: 25±5°C, power: 24VDC, RH: 45%~75%, Atmospheric pressure: 86KPa~106KPa	

Notes:

- When welding, soldering or brazing the pressure-leading copper tube, cooling measures must be taken at the sensor end to ensure that the temperature of the sensor body does not exceed 115°C.
- The pressure transmitter must be used in the medium that is non-corrosive to the seal material and the housing material.
- In case the hole of the pressure copper tube is blocked, do not use sharp tools to clear it. Instead, one should remove the transmitter from the system, immerse the pressure copper tube in the liquid, which can dissolve the blockage material, but NOT damage the seal and body material.
- The pressure transmitter has no serviceable parts. Do not open it for calibration or repair.
- Please contact factory if you're not sure whether the pressure transmitter is suitable for the medium to be measured.
- The transmitter should be installed in a location where it is not easily damaged, bumped into or stepped on.
- Exceeding the transmitter overload pressure may cause permanent damage.
- Where lightning may occur, customers should consider lightning protection measures.

- Information furnished by Intempco is believed to be accurate and reliable. However, no responsibility is assumed by Intempco for its use.
- Specifications subject to change without notice.
- To view the custom builder and part numbers, refer to the product's Catalog Sheet, or view the online product listing.
- For pricing and to make an order, contact our sales team at sales@intempco.com.

Notes :



DTG03

- Large 4-digit red LED display
- 4-20 mA programmable linearized signal output
- Field re-programmable with PC interface module and software
- Easy installation with various mounting configurations
- All stainless steel 316 construction

The DTG03 Digital Temperature Gauges are a complete solution for most industrial temperature monitoring and temperature indicating applications. Of high quality construction, these gauges feature a bright and large 4-digit red LED display with an analog 4-20 mA output. Based on Intempco's patented MIST™ technology, they are designed for optimum accuracy and performance. The DTG03 is an ideal replacement for bi-metal, liquid bulb and gas thermometers.



LTX series

- Micro-processor based
- Continuous loop powered 4-20 mA operation
- Heavy duty industrial design
- Non-interactive zero and span calibration
- Built-in temperature compensation

Intempco LTX series capacitance level transmitters are highly reliable micro-processor based sensors designed to measure levels of liquids and certain dry bulk media in metal tanks.



PHP01

- Low cost OEM and HVAC relative humidity probe
- 4-20 mA output standard
- Factory calibrated 5 % to 95 % RH
- Digital re-calibration, no potentiometers needed

The PHP01 is a Programmable Relative Humidity Probe which provides an accurate analog output directly proportional to 0...100 % RH.



Humidity



Temperature



Level



Pressure

Intempco USA, Inc.

165 State Street, Suite C, Hackensack, NJ 07601
Tel.: (201) 343-6331 • Fax: (201) 343-6336
www.intempcousa.com

Intempco Controls Ltd.

880 Selkirk Ave. Pointe-Claire (QC) H9R 3S3
Tel.: (514) 426-0488 • Fax: (514) 426-0522
www.intempco.ca